



 470

a

2 x
3,5 x 16



b

2 x
4,5 x 25



c

18 x
4,5 x 16



d

4 x
M8 x 20



e

10 x
M8 x 20_{SP}



f

2 x
M8



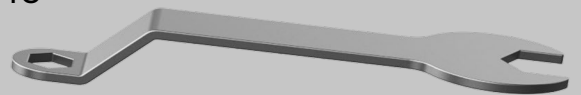
g

4 x
ø50



h

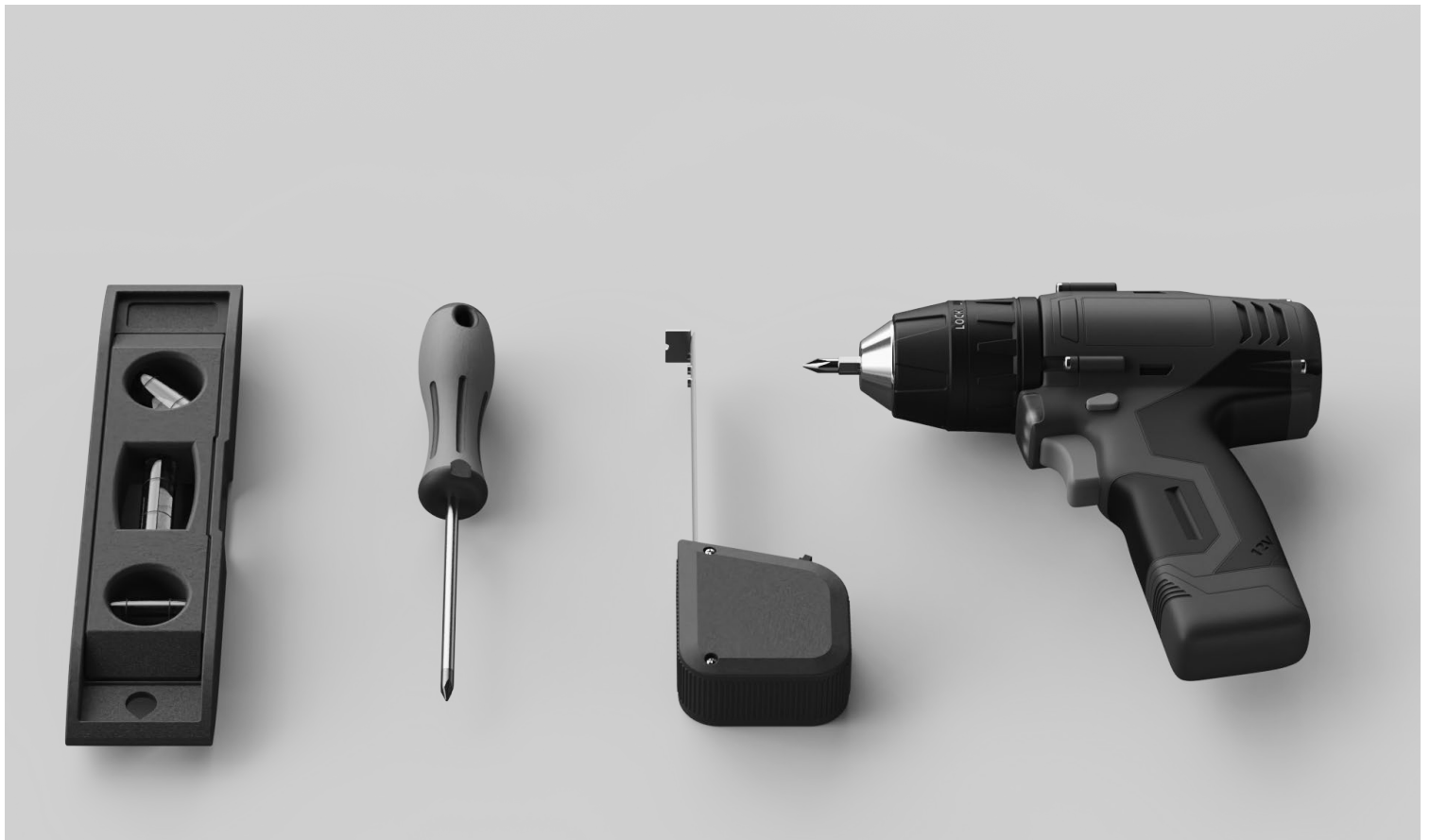
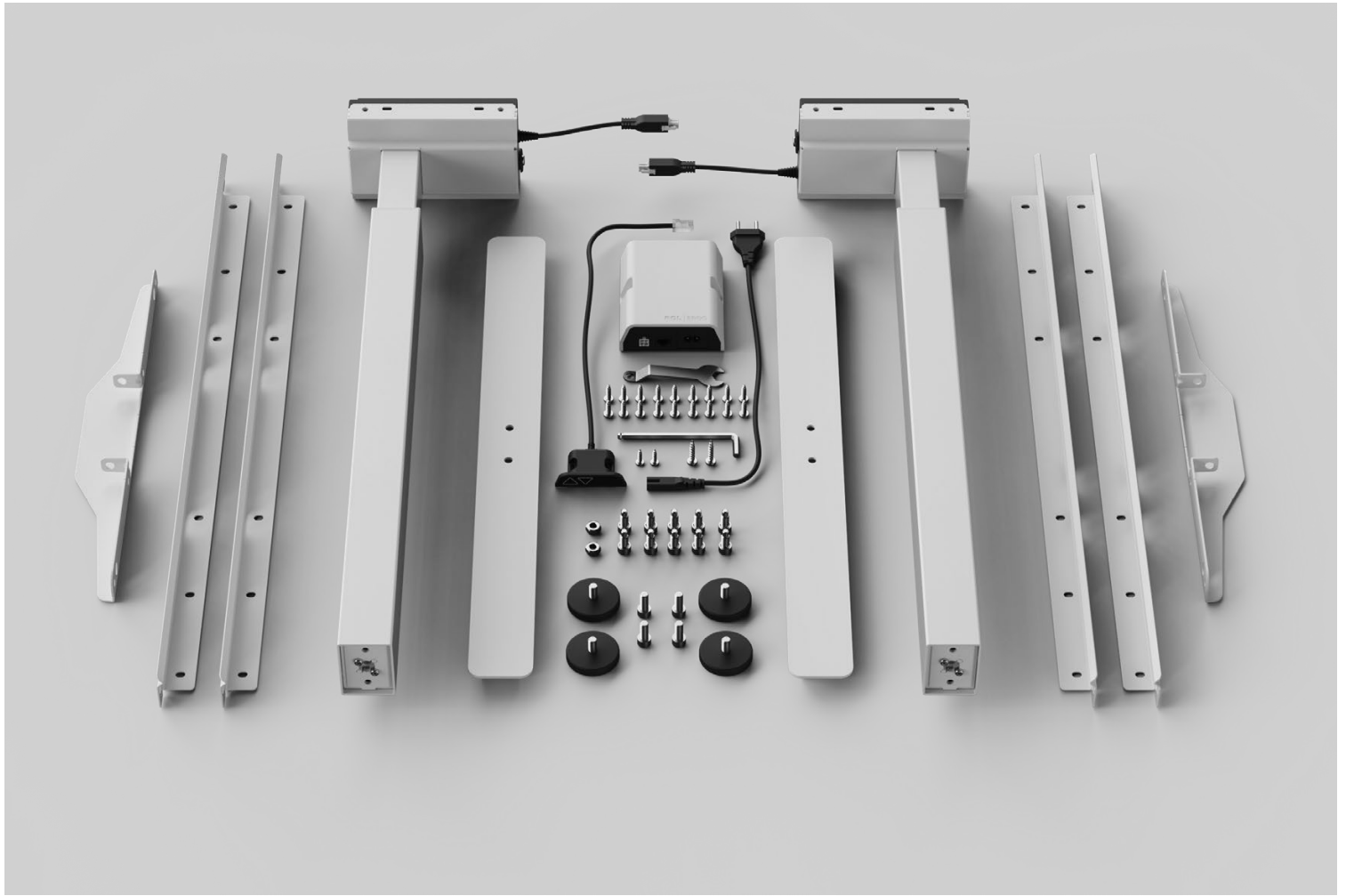
1 x
8/13



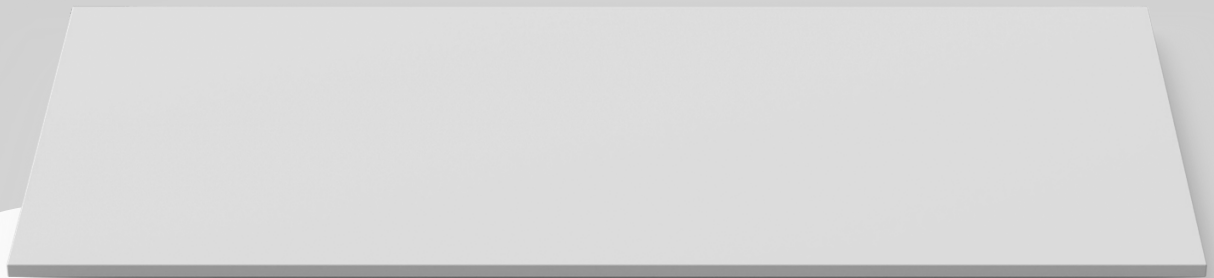
i

1 x
no. 6

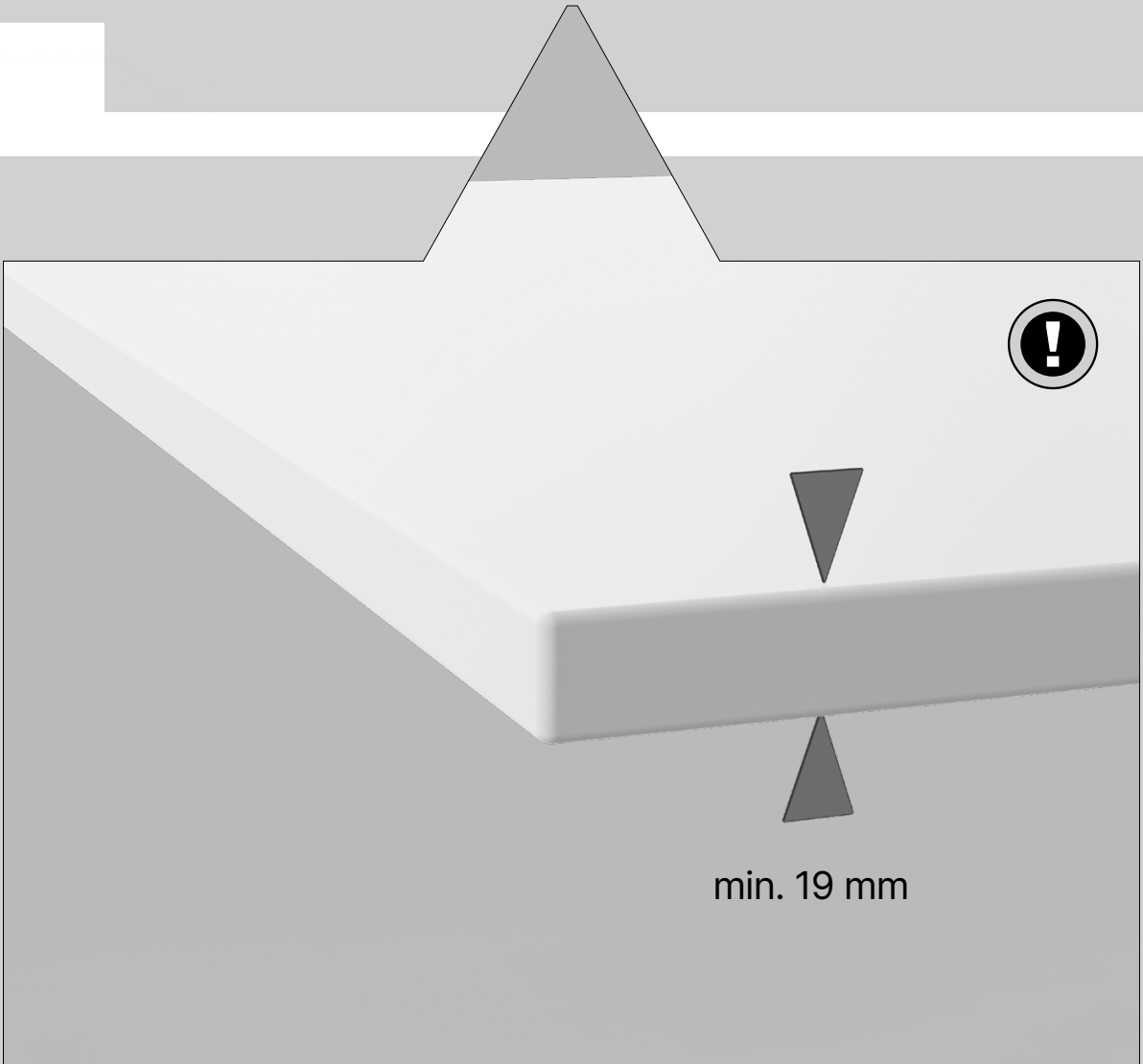
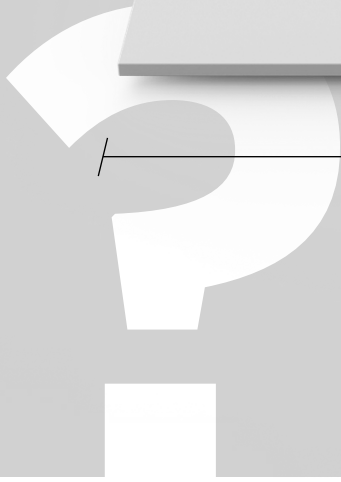




EXTRA TOOLS | 03

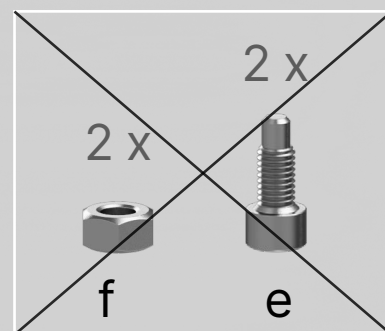
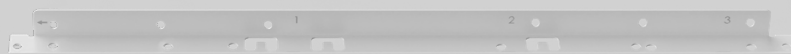
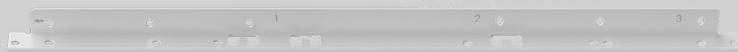
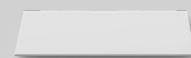


A/B/C/D



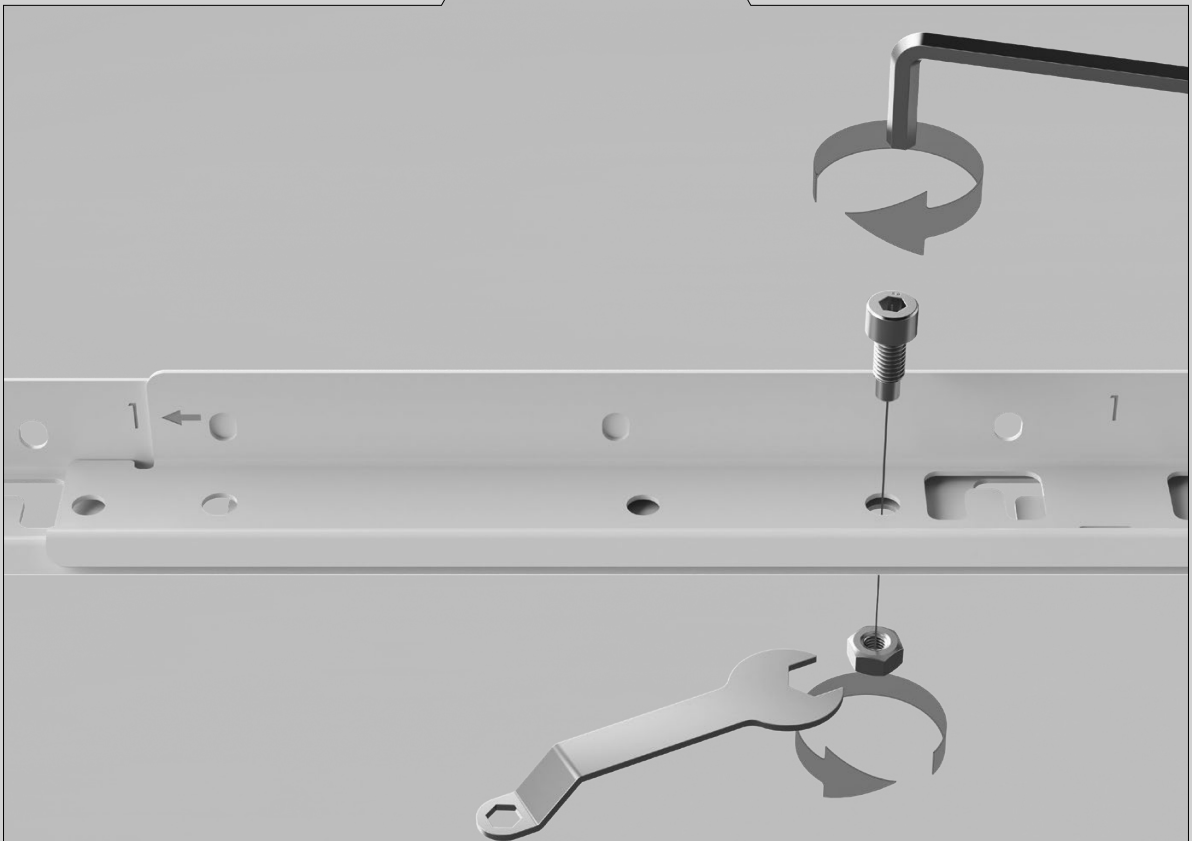
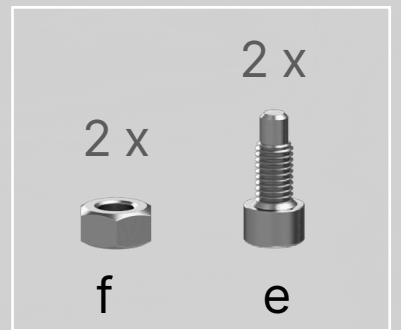
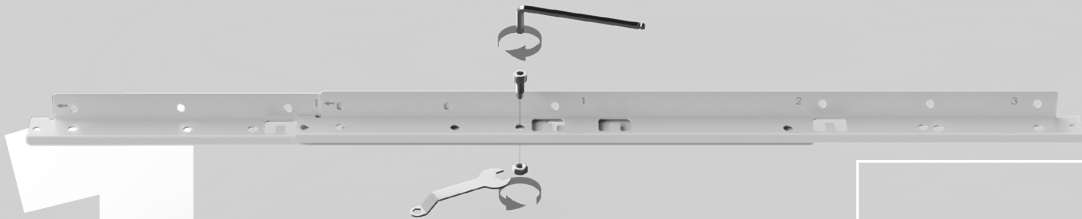
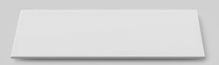
A

1000 mm



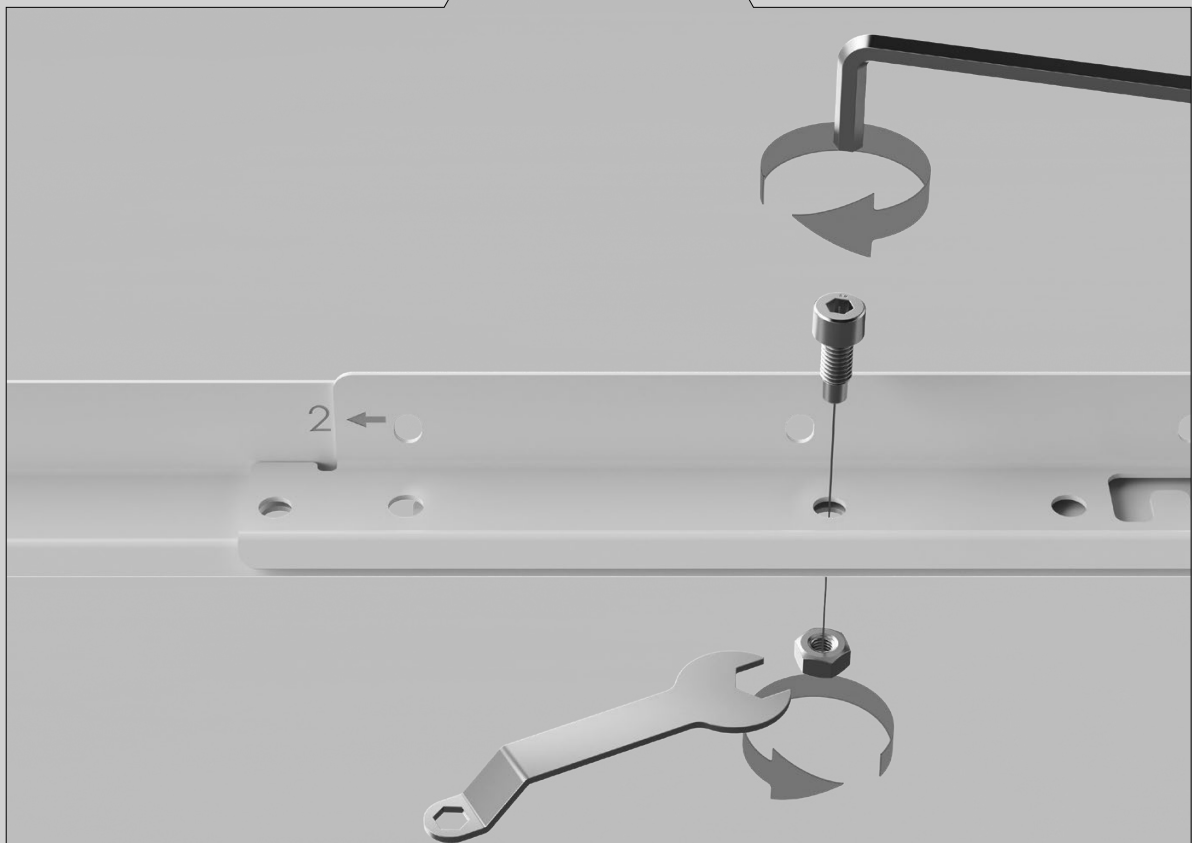
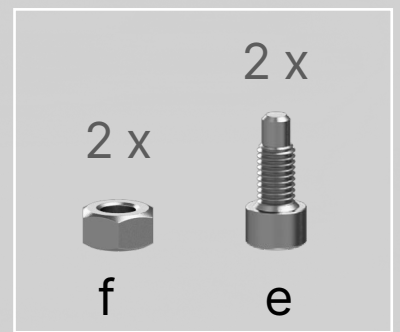
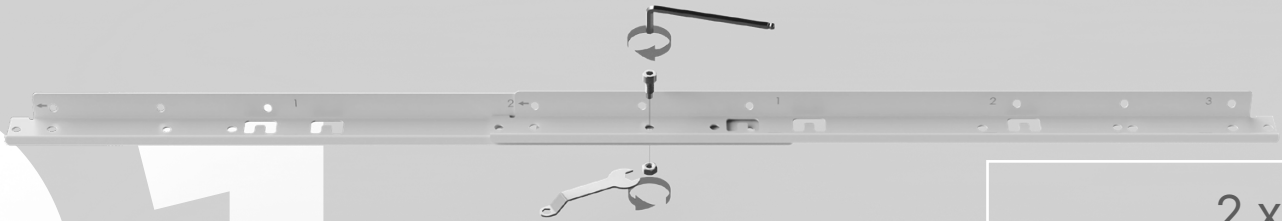
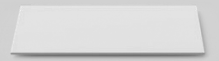
B

1200 mm



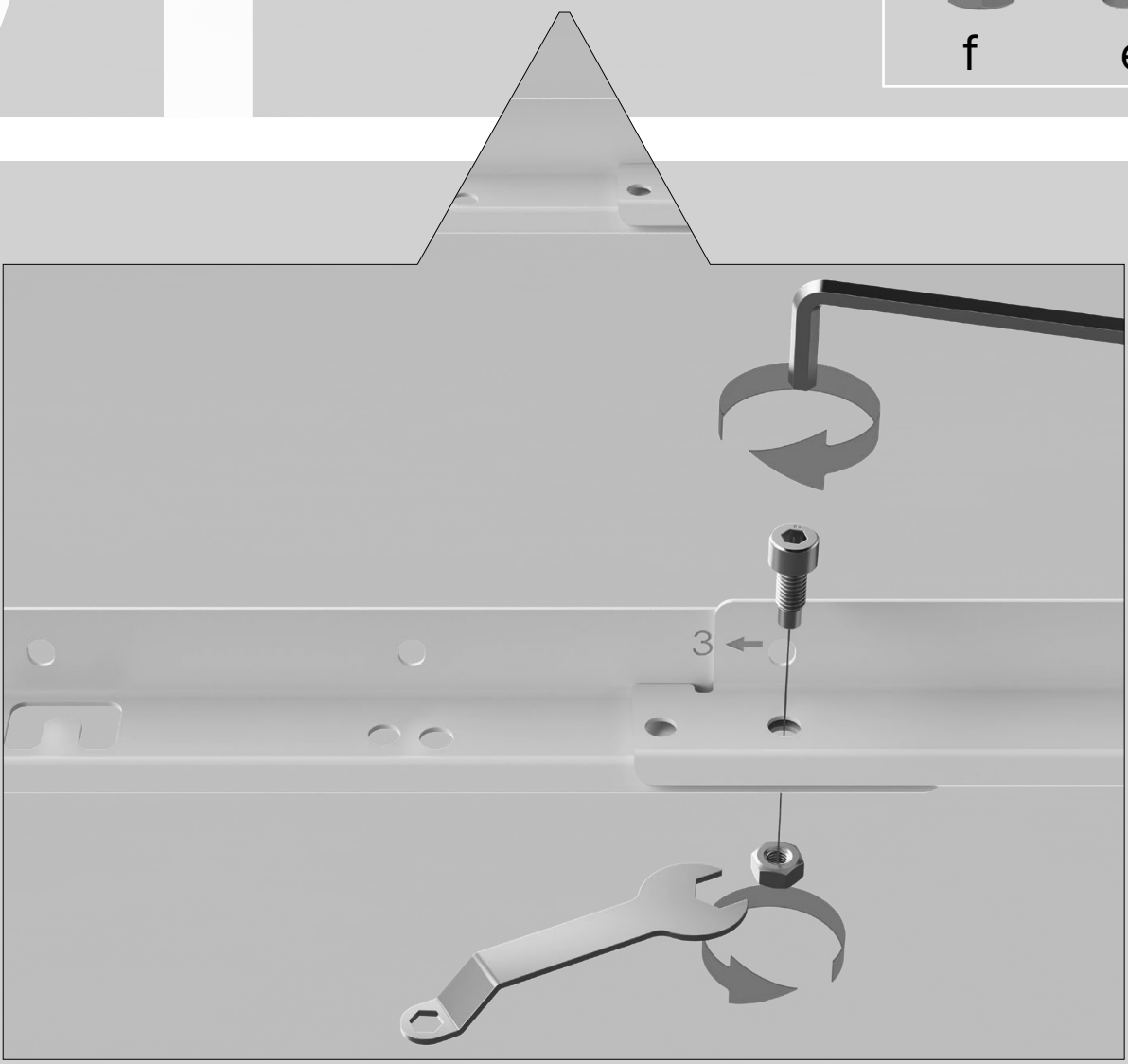
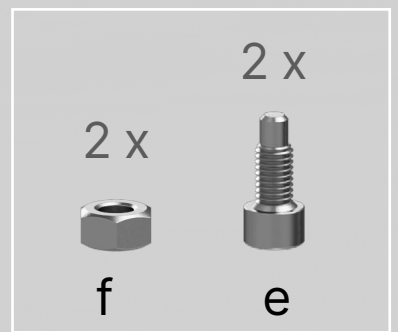
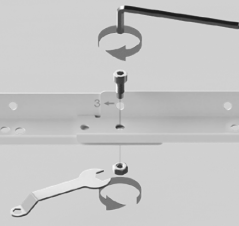
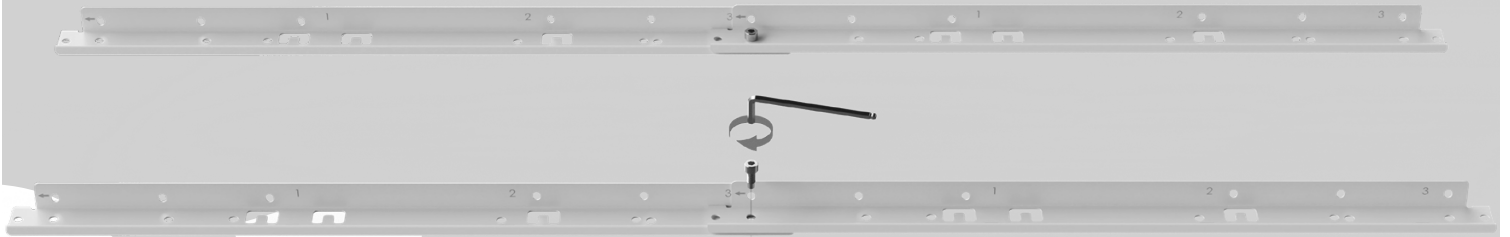
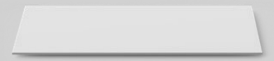
C

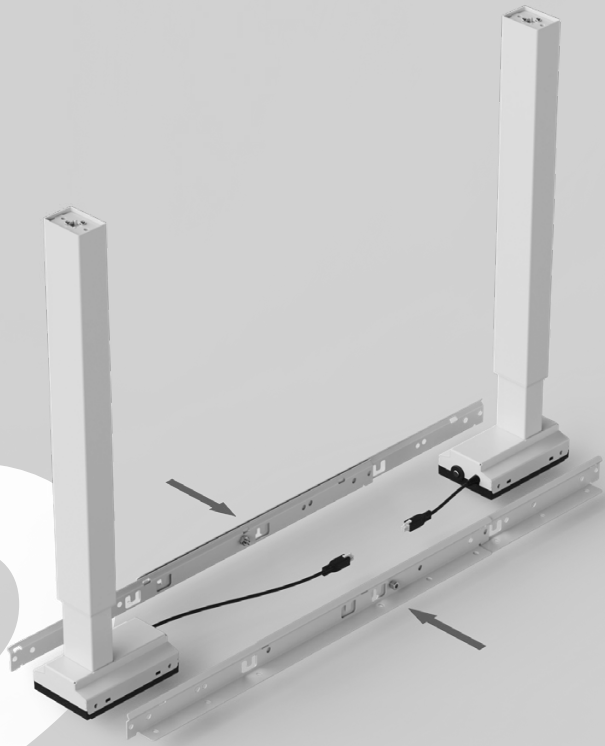
1400 mm



D

≥ 1600 mm

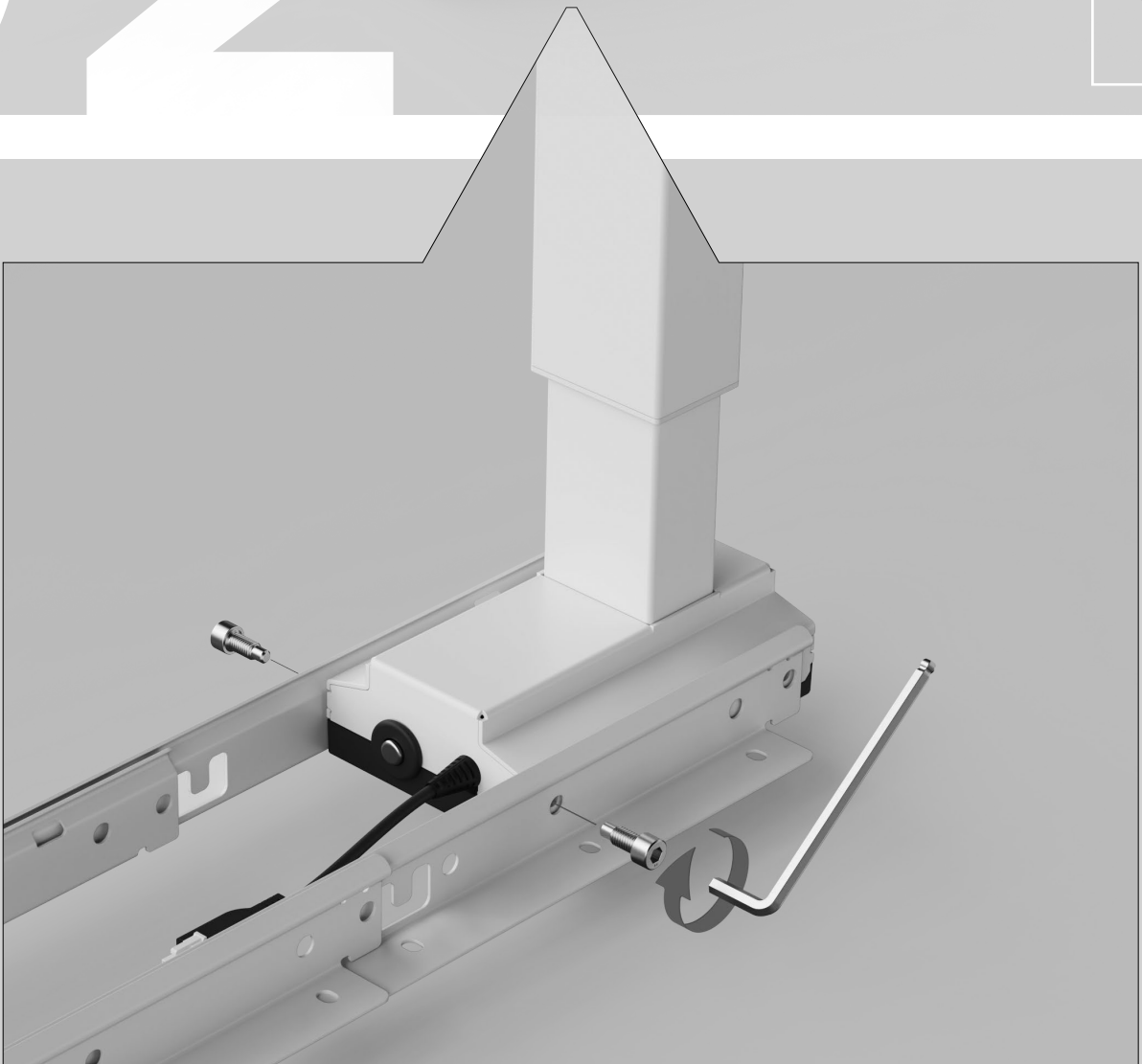


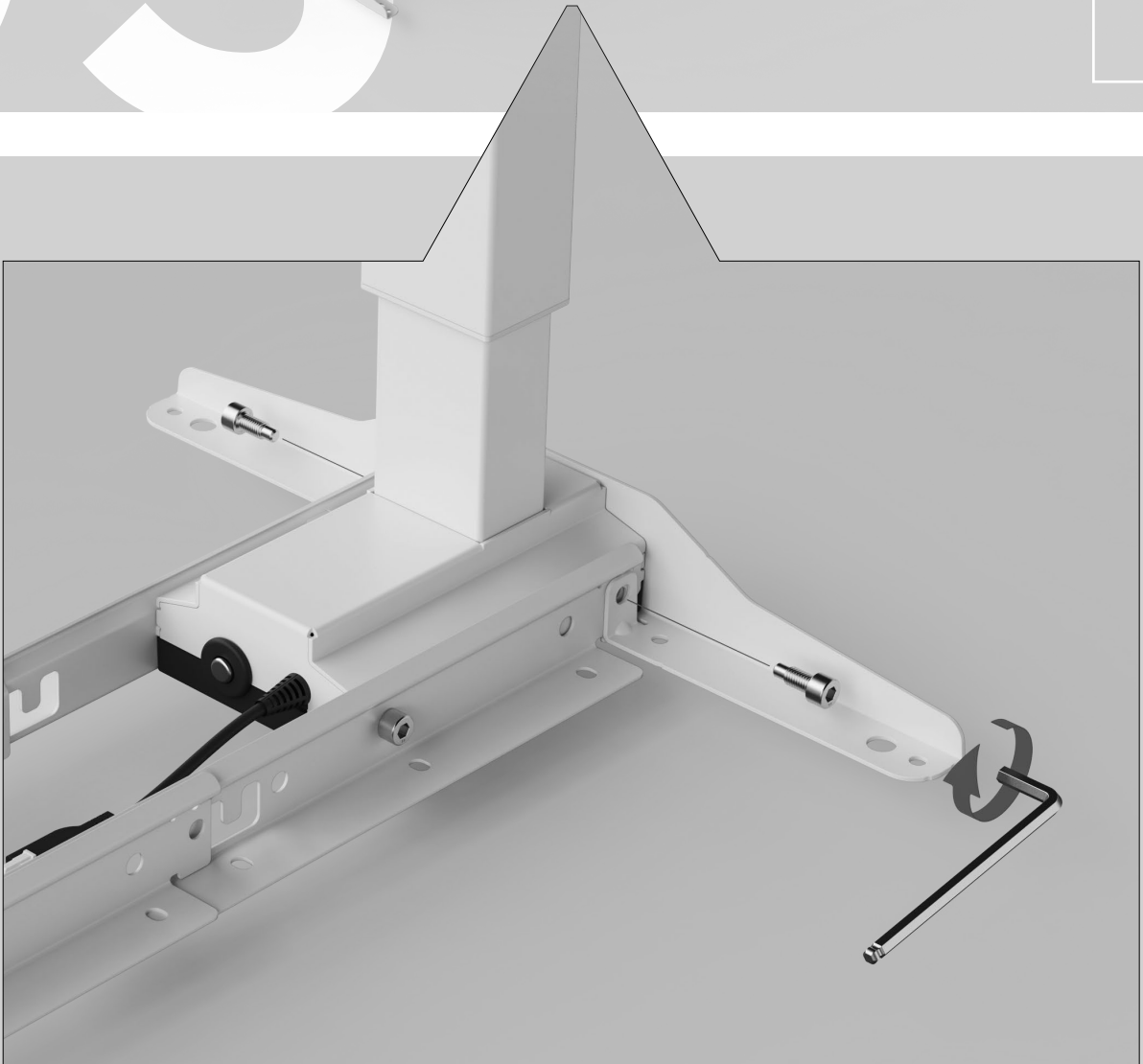
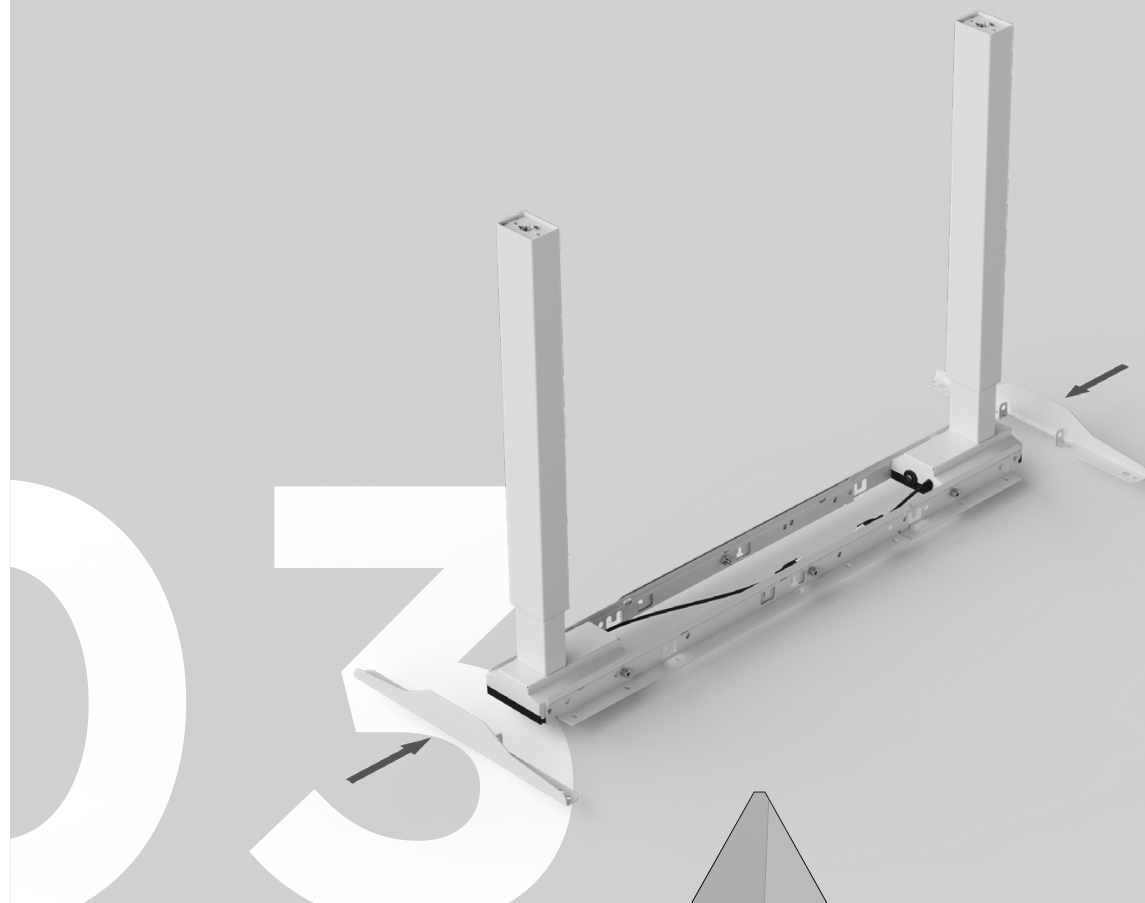


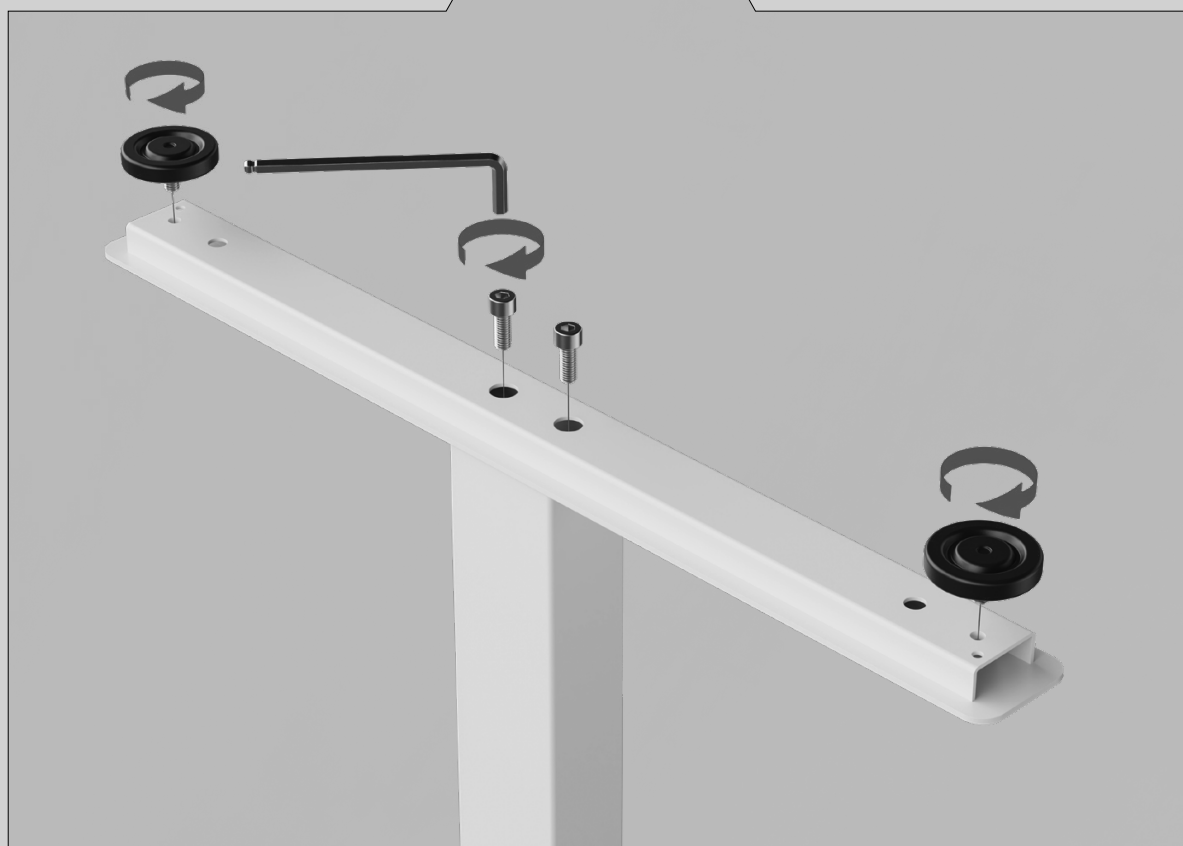
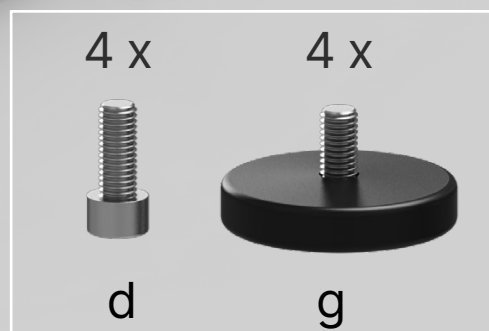
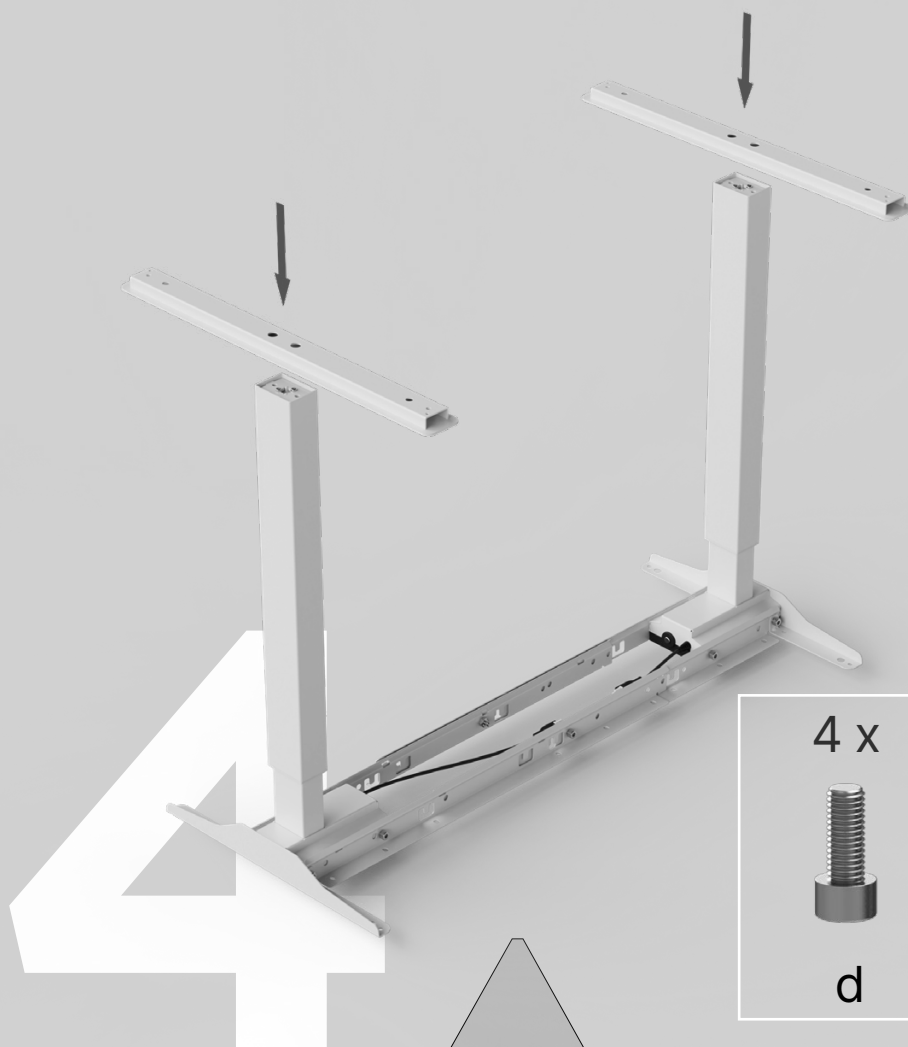
4 x

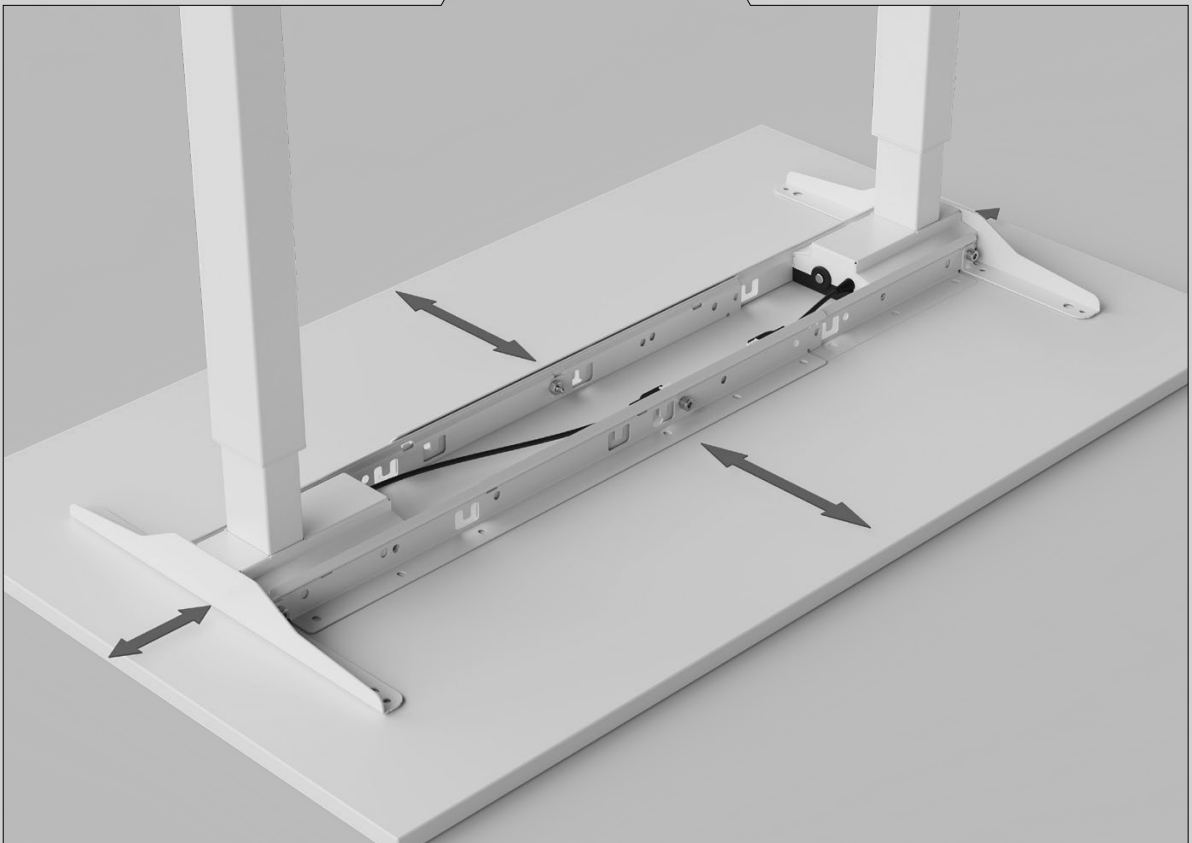


e







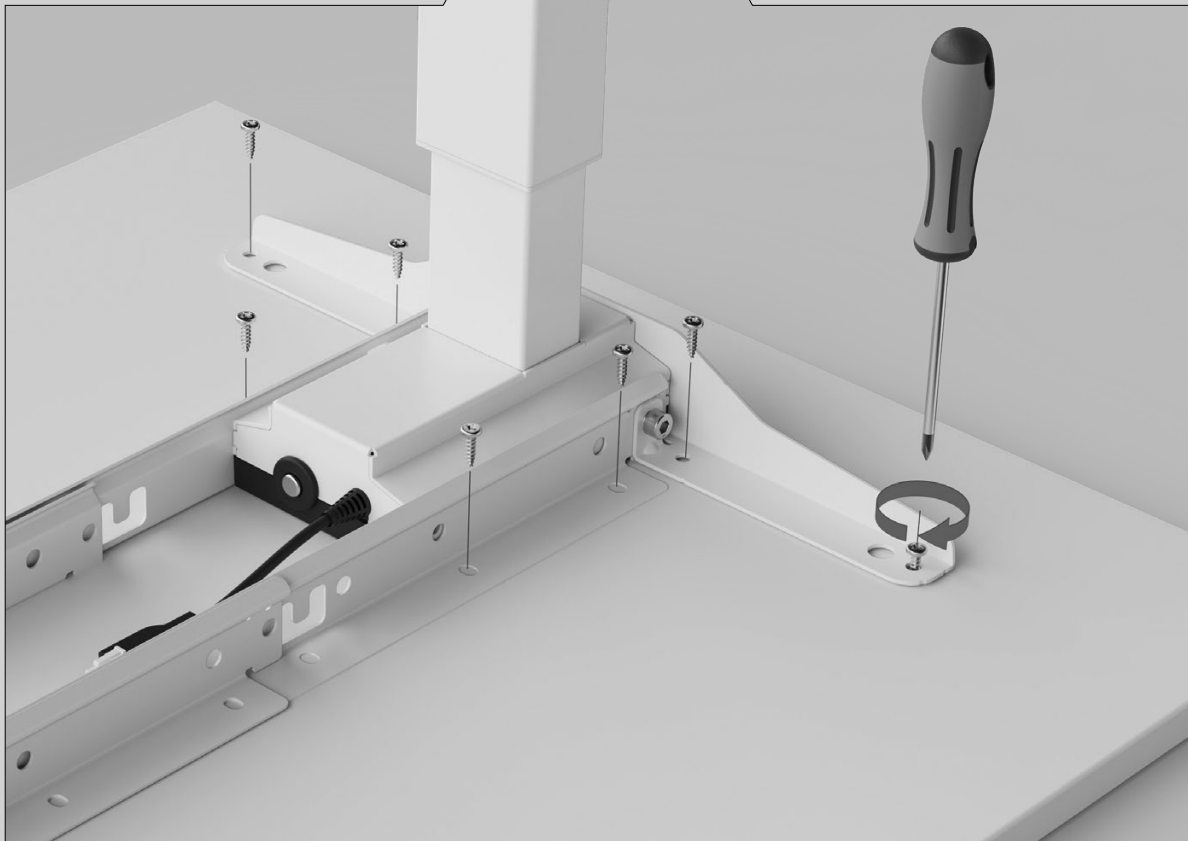




18 x



C

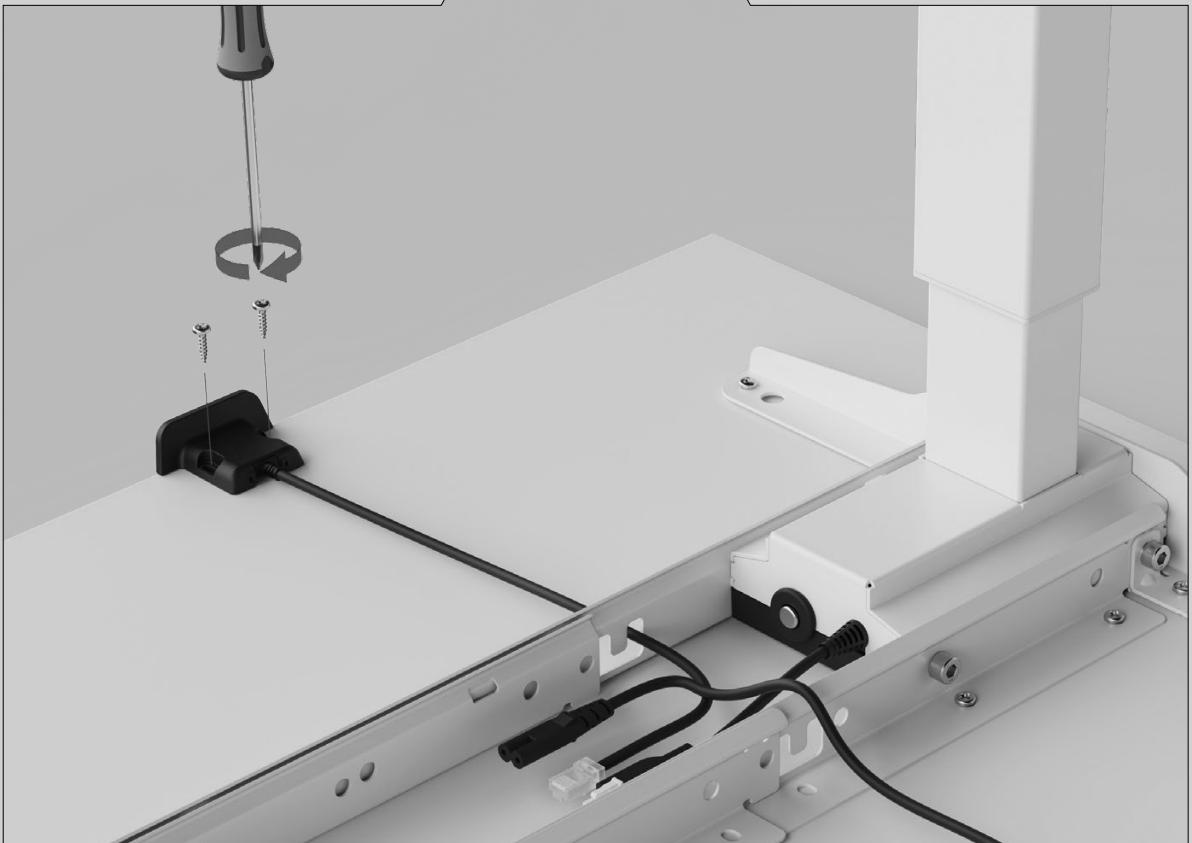




2 x



a





2 x



b

